

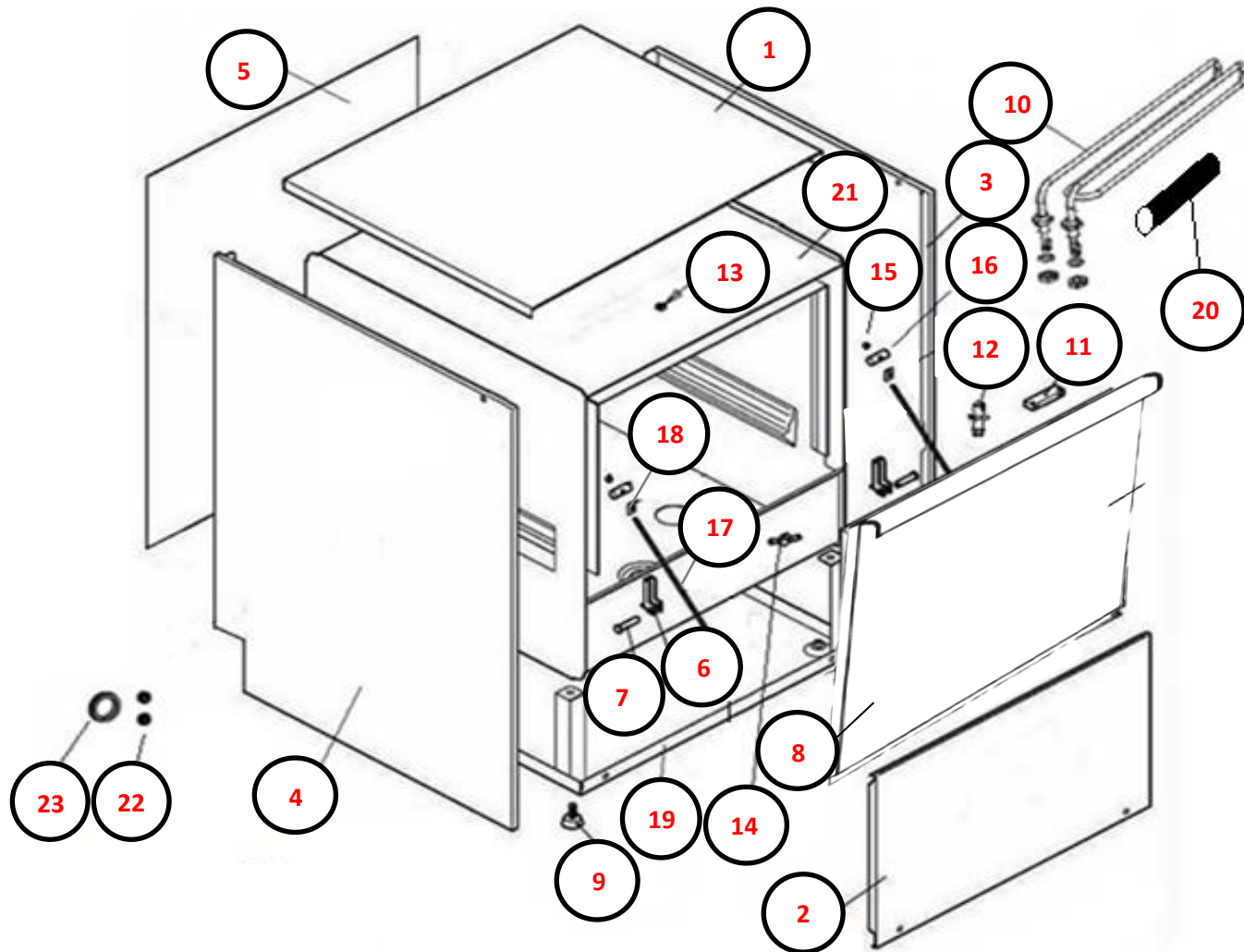
GDW1045SW

| POS | CODE | DESCRIPTION | DESCRIPTION | QTA |
|-----|--------|-------------|---------------|-----|
| 1 | P1 | PANNELLERIA | FRAME | 1 |
| 2 | P2 | RISCIACQUO | RINSE | 1 |
| 3 | P3 (3) | LAVAGGIO | WASH | 1 |
| 4 | P4 (2) | GIRANTI | ARMS | 1 |
| 5 | P5 | CABLAGGIO | WIRING | 1 |
| 6 | P6 | DOSATORE | CHEMICAL PUMP | 1 |



| POS | CODE | DESCRIZIONE | DESCRIPTION | NR |
|-----|--------|--------------------------------------|--|----|
| 1 | 904437 | PANN. SUP. N600 TARGA INOX INCL. 441 | TOP PANNEL PLATE INOX INCLINED 441 | 1 |
| 2 | 902544 | PANNELLO INFERIORE N600 IMPERIAL | LOWER PANEL N600 IMPERIAL | 1 |
| 3 | 902211 | PANNELLO LATERALE SX N600 IMPERIAL | SIDE PANEL N600 LH IMPERIAL | 1 |
| 4 | 902210 | PANNELLO LATERALE DX N600 IMPERIAL | SIDE PANEL N600 RH IMPERIAL | 1 |
| 5 | 904735 | PANN. POST. N600 BASSA 2011 | BACK PANNEL N600 SMALL 2011 | 1 |
| 6 | 901245 | CERNIERA PORTA SERIE S-N-E | DOOR HINGE MODEL S-N-E | 2 |
| 7 | 904795 | PERNO PORTA | DOOR PIVOT | 2 |
| 8 | 951247 | PORTA N600 MANIGLIA INOX | DOOR N600 HANDLE INOX | 1 |
| 9 | 905000 | PIEDINO LAVAGGIO PVC NEW | FEET, WASH PVC NEW | 4 |
| 10 | 905745 | RESIST. VASCA 2.5KW 230V | TANK HEATING ELEMENT 2.5KW 230V | 1 |
| 11 | 903651 | MAGNETE + CUSTODIA FRONTALI | MAGNET + CONTAINER DISHWASHER | 1 |
| 12 | 906121 | SCROCCHETTO CON ROTELLA + DADO | LATCH WITH WHEEL + NUT | 1 |
| 13 | 902132 | GHIERA FISSAGGIO PANNELLO SUPERIORE | FASTENING FERRULE, UPPER PANEL | 2 |
| 14 | 907244 | TERMOSTATO VASCA 55° PASTIGLIA | TANK THERMOSTAT 55° PADDLE | 1 |
| 15 | 902040 | DADO ATB 6 | NUT ATB 6 | 2 |
| 16 | 905424 | FERMO TIRANTE PORTA M6 | TIE-ROD DOOR STOP M6 | 2 |
| 17 | 902740 | TIRANTE PORTA M6X265 | DOOR TIE-ROD M6X265 | 2 |
| 18 | 904952 | PIASTRINA SCORR. TIRANTE PORTA | SLIDING PLATE FOR SPRINGS TIGHTENING | 2 |
| 19 | 900120 | BASAMENTO N600 UNICO 2015 | SOLE BASEMENT N600 2015 | 1 |
| 20 | 904958 | PROT. RESISTENZA VASCA IN SILICONE | TANK-HEATING ELEMENT PROTECTION SILICONE | 1 |
| 21 | 901809 | VASCA N650 | TANK N650 | 1 |
| 22 | 904723 | PASSACAVO TUBO BRILL./DET. | CABLE BUSHING RINSE PRODUCT/DETERGENT HOSE | 2 |
| 23 | 904721 | PASSACAVO TUBO SCARICO LAVAGGIO | CABLE BUSHING DRAIN HOSE | 1 |



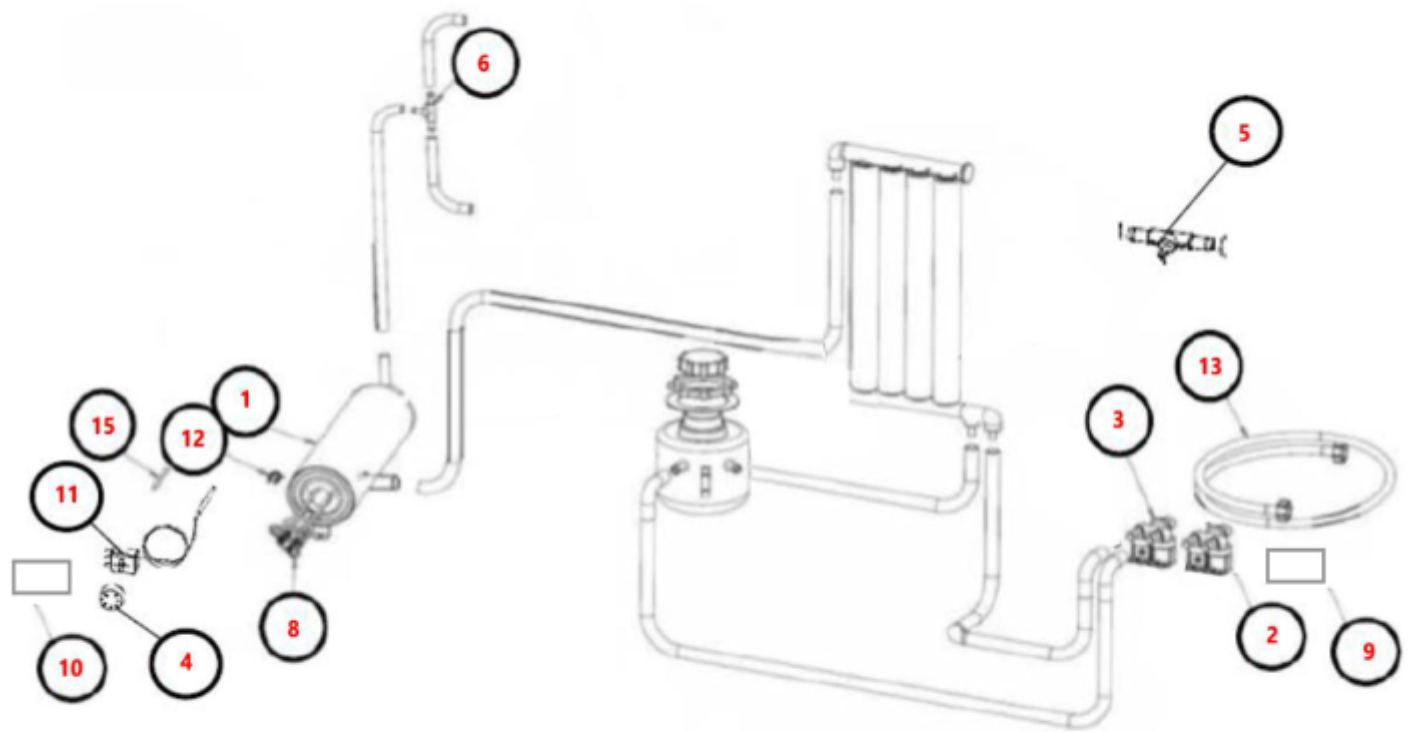


| POS | CODE | DESCRIZIONE | DESCRIPTION | NR |
|-----|--------|---|--|----|
| 1 | 900361 | BOILER 600-700-N45-N50-N90-E45-E50 4LT. + RES 3KW | BOILER 600-700-N45-N50-N90-E45-E50 4LT + ELEMENT 3KW | 1 |
| 2 | 908032 | ELETTROV. 2 VIE RISC. SEQUENZIALE APERTA | 2-WAY OPEN SOLENOID VALVE FOR SEQ. RINSE | 1 |
| 3 | 902401 | ELETTROV. 2 VIE Ø10 CON RIDUTTORE ROSSO | SOLENOID VALVE 2-WAYS Ø10 WITH RED REDUCER | 1 |
| 4 | 903982 | MANOPOLA TERMOSTATO 0/90° | THERMOSTAT KNOB 0/90° | 1 |
| 5 | 905434 | RACC. 3 VIE DOSATORE SU POMPA | CONNECTION 3-WAY DOSING PUMP | 1 |
| 6 | 905382 | RACC. 3 VIE RISCIAQUO | CONNECTION 3-WAY RINSE | 1 |

| | | | | |
|----|--------|--|---------------------------------------|---|
| 8 | 905521 | RESIST. BOILER 3KW 230V +OR | HEATING ELEMENT BOILER 3KW 230V +OR | 1 |
| 9 | 903058 | SQUAD. SUPPORTO ELETTROVALVOLA SWITCH | BRACKET SUPPORT SOLENOID VALVE SWITCH | 1 |
| 10 | 900187 | SQUADRETTA 1 TERMOSTATO PASTIGLIA 2015 | BRACKET THERMOSTA 2015 | 1 |
| 11 | TR0440 | TERMOSTATO BOILER 0/90 LAVASTOVIGLIE | THERMOSTAT BOILER 0/90 DISHWASHER | 1 |
| 12 | 907297 | TERMOSTATO SICUR. 110° PASTIGLIA | THERMOSTAT SAFETY | 1 |
| 13 | 907348 | TUBO CARICO 90° 1500MM S 800 HW | HOSE LOAD 90° 1500MM S 800 HW | 1 |

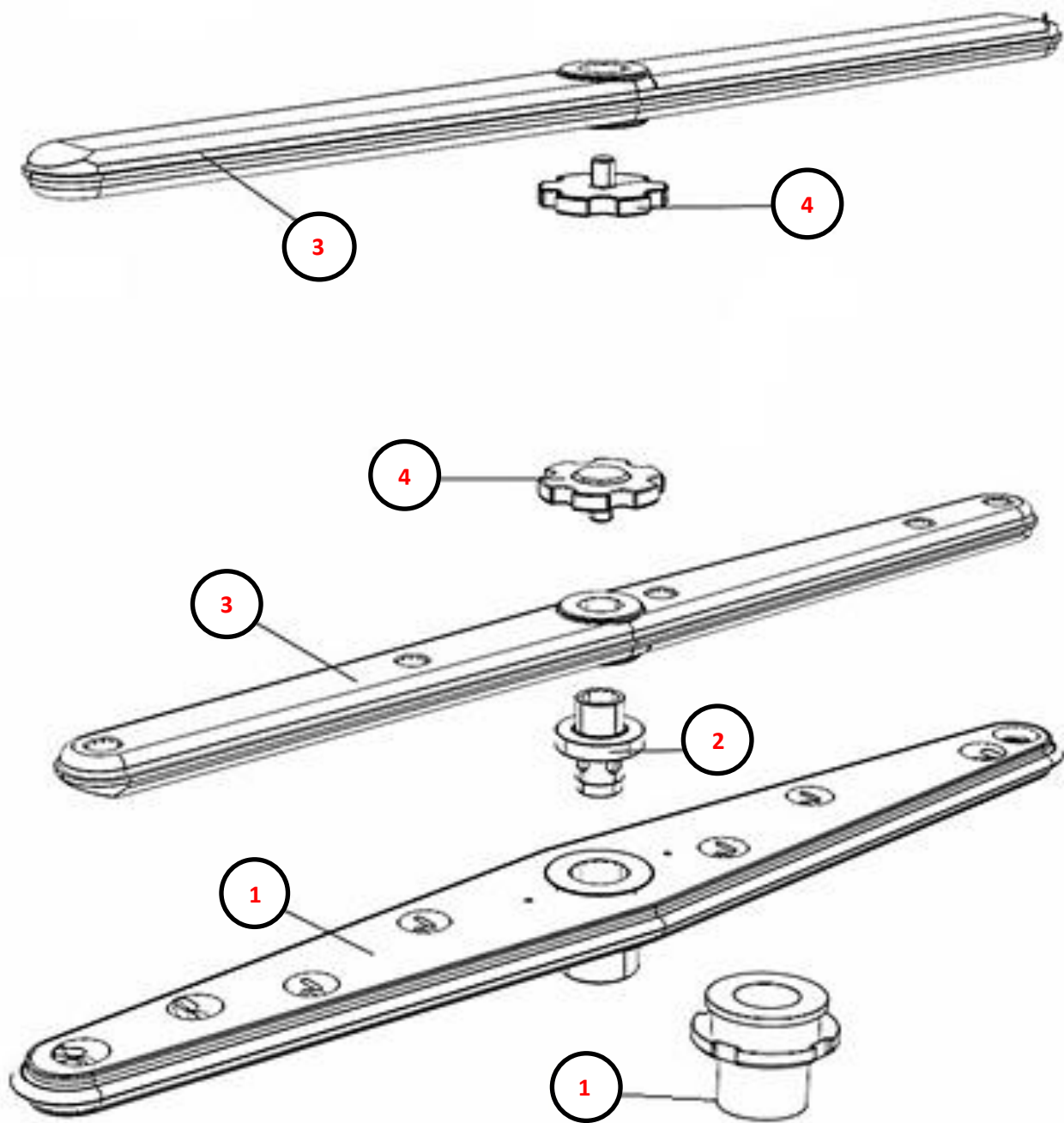
| | | | | |
|----|--------|----------------|-------------|---|
| 15 | 904075 | LAMELLA OTTONE | BRASS PLATE | 1 |
|----|--------|----------------|-------------|---|





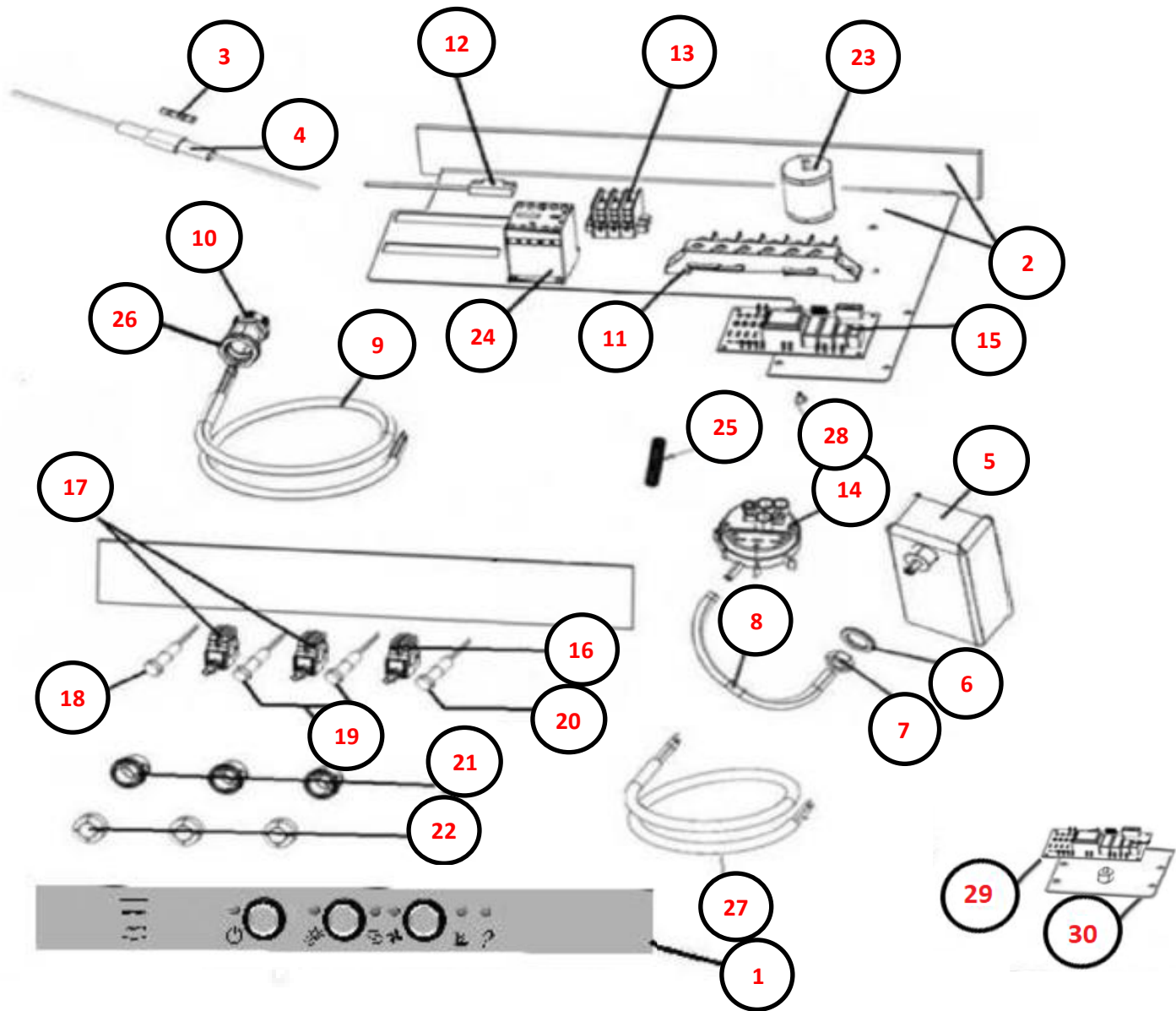
| POS | CODE | DESCRIZIONE | DESCRIPTION | NR |
|-----|--------|--|--|----|
| 1 | 908701 | COLONNA LAVAGGIO N700/E50 | WASH COLUMN N700/E50 | 1 |
| 2 | 909371 | MANICOTTO MANDATA N750/E50/E45 | INLET SLEEVE N750/E50/E45 | 1 |
| 3 | 905456 | MOZZO LAV. DX | WASH HUB RH | 1 |
| 4 | 908141 | GUARN. RACC. LAV. N45/N50/N700/N1000 | GASKET WASH JUNCTION N45/N50/N700/N1000 | 2 |
| 5 | 908154 | FLANGIA NORYL MOZZO SUP. LAVAPIATTI | FLANGE UPPER HUB - DISHWASHER | 1 |
| 6 | 904799 | PERNO LAV. SUP. N600/N700/N45/N50 | PIVOT UPPER WASH N600/N700/N45/N50 | 1 |
| 7 | 908705 | PERNO LAV. INF. N600/N700/E45/E50 | LOWER-WASH-ARM PIVOT N600/N700/E45/E50 | 1 |
| 8 | 908456 | BOCCOLA RIDUZ. PERNO LAV. N45/N700/N1000 | REDUCING BUSHING OF WASH PIVOT | 1 |
| 9 | 906002 | RONDELLA Ø33X15X0.8 ROMPIGETTO | WASHER Ø33X15X0.8 FAUCET AERATOR | 1 |
| 10 | 905388 | RACC. INF. LAV. E45/E50/N45/N50/N700/N1000 | LOWER RINSE CONNECTION E45/E50/N45/N50/N700/N1000 | 1 |
| 11 | 908702 | DISTANZIALE RACC. LAV. N700/N750 | WASH CONNECTION SPACER N700/N750 | 1 |
| 12 | 905449 | MOZZO LAV. SX | WASH HUB LH | 1 |
| 13 | 903756 | TRONCHETTO MAND. N45/N50/N90/N700FH | INLET SOCKET N45/N50/N90/N700FH | 2 |
| 14 | 903758 | MANICOTTO ASP. N700 | ASPIRATION SLEEVE N700 | 1 |
| 15 | 902263 | POMPA 0.40KW 230/1/50 N700-N750-E45-E50 | PUMP 0.40KW 230/1/50 N700-N750-E45-E50 | 1 |
| 16 | 900129 | TROPPO PIENO N650-N750-E45-E50 PS 2015 | OVERFLOW CAP N650-N750-E45-E50 PS 2015 | 1 |
| 17 | 902399 | FILTRO CON CILINDRO PPL H140MM Ø98MM | FILTER WITH PLASTIC BARREL H140MM Ø98MM | 1 |
| 18 | 905238 | FLANGIA POZZETTO MAGGIORATO ASP./SCAR. | FLANGE ASPIRATION/DRAIN SOAKAWAY | 1 |
| 19 | 905378 | GUARN. POZZETTO MAGGIORATO | INCREASED PIT GASKET | 1 |
| 20 | 905236 | POZZ. ASPIRAZ. MAGGIORATO ASP. Ø45 | INCREASED SUMP Ø45 | 1 |
| 21 | 907439 | TUBO SCARICO Ø19 90° 2000MM PS + CURVA | DRAIN HOSE Ø19 90° 2000MM PS + BLEND | 1 |
| 22 | 903672 | MANICOTTO POMPA SCARICO E45-E50-N650-N750 | SLEEVE DRAIN PUMP E45-E50-N650-N750 | 1 |
| 23 | 902332 | POMPA SCARICO MAGNETICA 220/240V 50HZ 40W | MAGNETIC DRAIN PUMP 220/240V 50HZ 40W | 1 |





| POS | CODE | DESCRIZIONE | DESCRIPTION | NR |
|-----|--------|--|---|----|
| 1 | 902408 | TARGA N700A METRO PROFESSIONAL | PLATE N700A METRO PROFESSIONAL | 1 |
| 2 | 902215 | RETROTARGA CON PIASTRA N600 MECCANICA IMPERIAL | BACKPLATE WITH PLATE N600 MECHANICAL IMPERIAL | 1 |
| 3 | NA | NON DISPONIBILE | NOT AVAILABLE | NA |
| 4 | NA | NON DISPONIBILE | NOT AVAILABLE | NA |
| 5 | 905262 | TRAPPOLA ARIA 90MM GRIGIO CHIARO | AIR TRAP 90MM LIGHT GREY | 1 |
| 6 | 903260 | GUARN. 3/8" TR. ARIA | GASKET 3/8", AIR TRAP | 1 |
| 7 | 902111 | GHIERA 3/8" PPL | PLASTIC FERRULE 3/8" | 1 |
| 8 | 907279 | TUBO SILICONE 4X7 | SILICONE HOSE 4X7 | 1 |
| 9 | 908192 | CAVO ALIMENTAZ. 3X4X3500 H07 | POWER-SOURCE CABLE 3X4X3500 H07 | 1 |
| 10 | 902683 | PRESSACAVO PG16 | CABLE GLAD PG16 | 1 |
| 11 | 904150 | MORSETTIERA 6 POLI N600-N700-E45-E50 | TERMINAL BOX 6 POLES N600-N700-E45-E50 | 1 |
| 12 | 909290 | REED MAGNETICO LAVASTOVIGLIE | MAGNETIC REED WAREWASHER | 1 |
| 13 | 904167 | MORSETTO QUADRIPOLORE CON SPALLA | 4-POLE CLAMP WITH BRACKET | 1 |
| 14 | 905264 | PRESSOSTATO 35/17 | PRESSURE SWITCH 35/17 | 1 |
| 15 | 907169 | SCHEDA TRONIC CLONE ELCA | TRONIC BOARD CLONE ELCA | 1 |
| 16 | 905313 | PULS. 6 FASTON INCLINATO | 6-INCLINED-FASTON BUTTON | 1 |
| 17 | 905314 | INTERRUTTORE/DEVIATORE 6 FASTON INCLIN. | SWITCH/DIVERTER 6 INCLINED FASTONS | 2 |
| 18 | 903688 | LAMP. SPIA Ø 6 VERDE+CAVI | GREEN WARNING LIGHT Ø 6 + CABLES | 1 |
| 19 | 903689 | LAMP. SPIA Ø 6 ARANCIO+CAVI BOILER | ORANGE WARNING LIGHT Ø 6 +BOILER CABLES | 2 |
| 20 | 903686 | LAMP. SPIA Ø 6 ARANCIO+CAVI CICLO_DEP. | ORANGE WARNING LIGHT Ø 6 +CABLES | 1 |
| 21 | 905345 | SUPP. PULS. TONDO Ø25 NERO | ROUND-BUTTON SUPPORT Ø25 BLACK | 3 |
| 22 | 905437 | TASTO TONDO Ø25 ARGENTO OPACO | ROUND BUTTON Ø25 MATT GRAY | 3 |
| 23 | 902108 | FILTRO ANTIDISTURBO MONOFASE | MONO-PHASED ANTINOISE FILTER | 1 |
| 24 | 907190 | TELERUTTORE 9A 230V CON ATTUATORE LOVATO | CONTACTOR 9A WITH ACTUATOR LOVATO | 1 |
| 25 | 904131 | MOLLA PROTEZIONE TUBETTO | SPRING PROTECTING TUBE | 1 |
| 26 | 902677 | GHIERA PRESSACAVO PG16 | FERRULE CAGLE GLAND PG16 | 1 |
| 27 | 908227 | CAVI QUADRO LAVAPIATTI | SQUARE DISHWASHER CABLES | 1 |
| 28 | 902193 | DISTANZIALE TIMER ELETTRONICO | ELECTRONIC TIMER SPACER | 4 |
| 29 | 907460 | SCHEDA RISCIAQUO SEQUENZIALE | ELECTRONIC BOARD SEQUENTIAL RINSE | 1 |
| 30 | 903627 | ISOLATORE SCHEDE RISCIAQUO SEQUENZIALE | ISOLATOR SEQUENTIAL RINSE TRONIC BOARD | 1 |





| POS | CODE | DESCRIZIONE | DESCRIPTION | NR |
|-----|--------|--|--|----|
| 1 | 902062 | DOSATORE BRILL. PERIST. SEKO TEMPORIZZATO | PERISTALTIC RINSE-PRODUCT PUMP WITH REGULATOR | 1 |
| 2 | 902052 | DOSATORE DETERS. PERIST. SEKO | PERISTALTIC DETERGENT PUMP | 1 |
| 3 | 952820 | SUPP. DOS. PERISTALTICO DOPPIO | DOUBLE PERISTALTIC DOSING PUMP SUPPORT | 1 |
| 4 | 907279 | TUBO SILICONE 4X7 | SILICONE HOSE 4X7 | 1 |
| 5 | 902046 | TUBO CRYSTAL TRASP. 4X7 | TRASPARENT HOSE 4X7 | 1 |
| 6 | 907278 | TUBO CRYSTAL ROSSO 4X7 | TRASPARENT-RED HOSE 4X7 | 2 |
| 7 | 907456 | PESO INOX 190mm TUBETTO BRILLANTANTE/DETERSIVO | STAINLESS STEEL WEIGHT TUBE RINSE AID DETERGENT 190mm | 2 |
| 8 | 902366 | RACC. INOX ENTR. DETERSIVO VASCA | STAINLESS-STEEL INLET CONNECTION FOR DETERGENT IN TANK | 1 |
| 9 | 903412 | GUARN. FIBRA FORO POMPA DETERSIVO | FIBRE GASKET HOLE DETERGENT PUMP | 2 |
| 10 | 906055 | RONDELLA Ø10 P. | WASHER Ø10 P. | 1 |
| 11 | 902022 | DADO 10 | NUT 10 | 1 |
| 12 | 902569 | FILTRO DOSATORE | DOSING UNIT FILTER | 2 |



